

Fig 25 ... with standing seam verge over brickwork

With the detail as drawn the wallplate and the substrate at the soffit will be exposed. Their finished appearance therefore needs to be considered. Alternatively the copperwork can be designed to finish the soffit gap. A minimum overhang of 60mm is recommended to avoid staining of facade materials by water run-off.

In Traditional roofing (see Figs 25b and 25c) the detail is basically the same but fixed clips are provided. Note that in Long Strip roofing sliding clips are only provided outside the 'fixed clip zone' (see Table L, p11). Inside the fixed clip zone sliding clips are never provided.

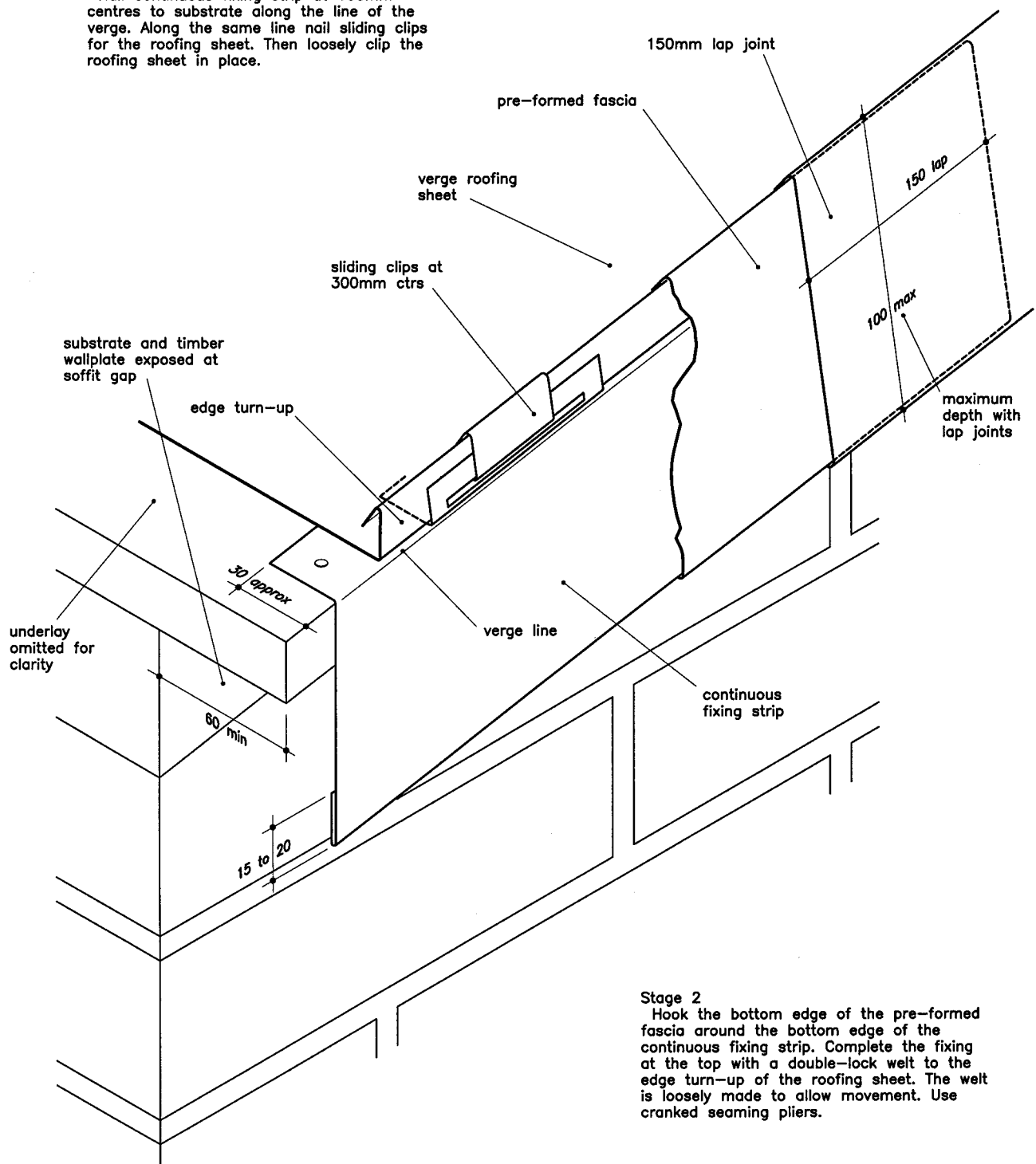
Joints in fascias are described with Fig 23 (p64). Generally, where the depth of a fascia exceeds 100mm, welted joints are recommended to hold the copper neatly in line.

Temper: Roofing sheet; soft, quarter- or half-hard.
Pre-formed fascia; half-hard. Cladding; quarter- or half-hard.
Thickness: 0.6mm or 0.7mm

TRADITIONAL LONG STRIP

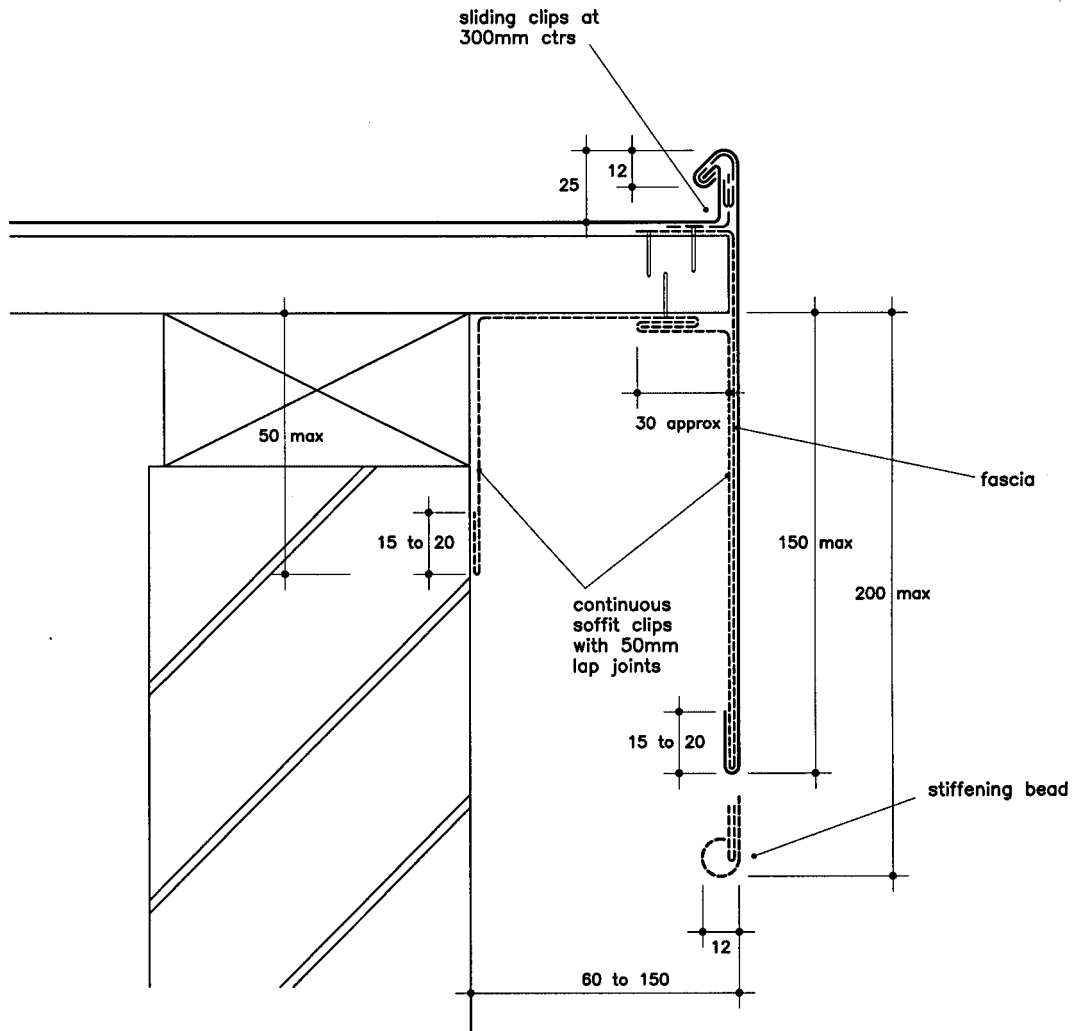
Stage 1

Nail continuous fixing strip at 100mm centres to substrate along the line of the verge. Along the same line nail sliding clips for the roofing sheet. Then loosely clip the roofing sheet in place.



Stage 2

Hook the bottom edge of the pre-formed fascia around the bottom edge of the continuous fixing strip. Complete the fixing at the top with a double-lock welt to the edge turn-up of the roofing sheet. The welt is loosely made to allow movement. Use cranked seaming pliers.



* A minimum overhang of 60mm is recommended to avoid staining of facade materials by water run-off.

Fig 25a
Standing seam verge over brickwork with copper fascia up to 250mm deep, maximum 150mm overhang

TRADITIONAL LONG STRIP

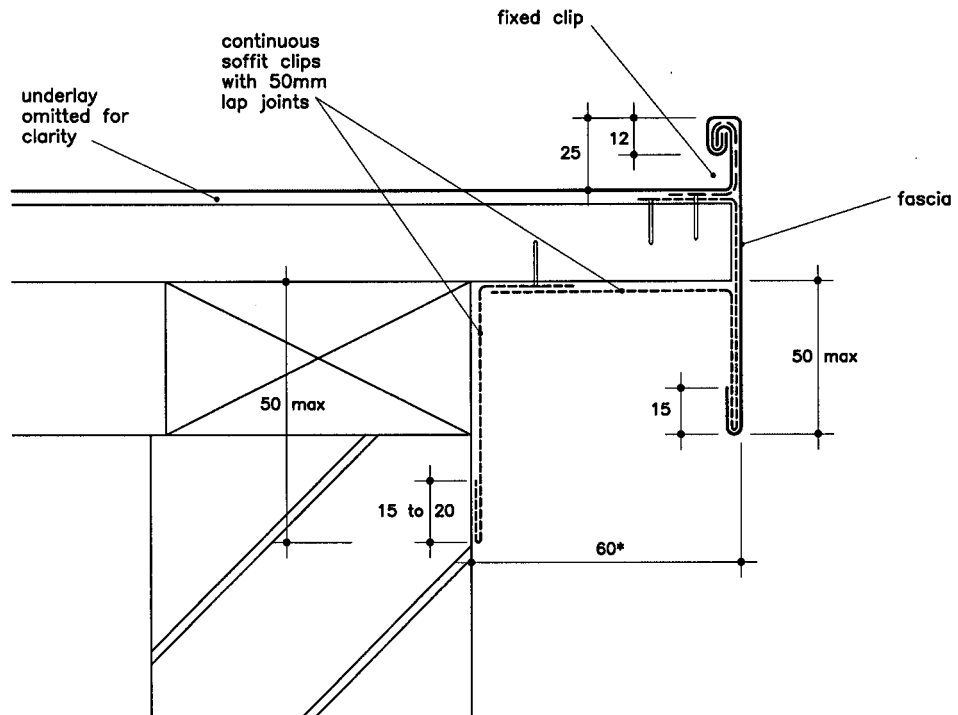
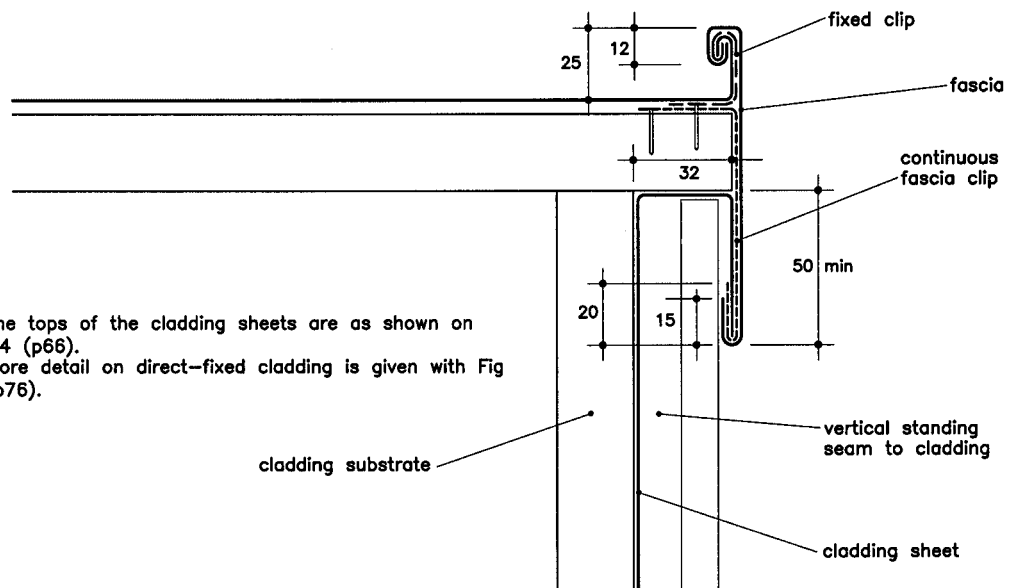


Fig 25b
Standing seam verge over brickwork with copper
fascia up to 100mm deep,
60mm overhang

TRADITIONAL LONG STRIP



* The tops of the cladding sheets are as shown on
Fig 24 (p66).
* More detail on direct-fixed cladding is given with Fig
29 (p76).

Fig 25c
Standing seam verge over direct-fixed cladding
with copper fascia up to 200mm deep

TRADITIONAL LONG STRIP